



MGate MB3270 and MB3270I Quick Installation Guide

Third Edition, October 2007

1. Overview

The MGate MB3270 and MB3270I are 2-port advanced Modbus gateways that convert between Modbus TCP and Modbus ASCII/RTU protocols. They can be used to allow Ethernet masters to control serial slaves, or to allow serial masters to control Ethernet slaves. Up to 16 TCP masters and 62 serial slaves can be connected simultaneously.

2. Package Checklist

Before installing the MGate MB3270 or MB3270I Modbus gateway, verify that the package contains the following items:

- MGate MB3270 or MB3270I Modbus gateway
- Document & Software CD
- MGate MB3270 and MB3270I Quick Installation Guide
- Product Warranty Statement

Please notify your sales representative if any of the above items is missing or damaged.

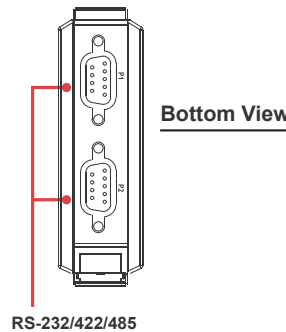
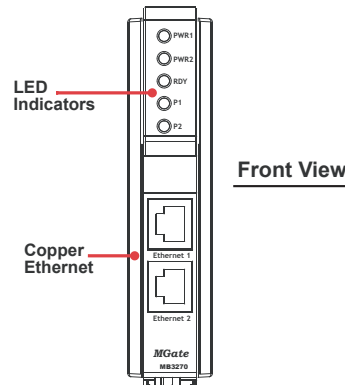
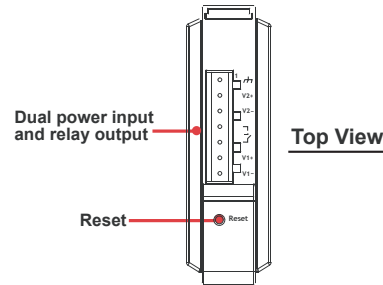
3. Hardware Introduction

LED Indicators

Name	Color	Function
PWR1	Red	Power is being supplied to the power input
PWR2	Red	Power is being supplied to the power input
RDY	Red	(steady) Power is on and the unit is booting up
		(blinking) IP conflict, DHCP or BOOTP server did not respond properly, or a relay output occurred
	Green	(steady) Power is on and the unit is functioning normally
Ethernet	Orange	10 Mbps Ethernet connection
	Green	100 Mbps Ethernet connection
P1, P2	Off	Ethernet cable is disconnected or has a short
	Orange	Serial port is receiving data
	Green	Serial port is transmitting data
	Off	Serial port is not transmitting or receiving data

P/N: 1802032700011

The MGate MB3270 and MB3270I each provide two DB9 ports to connect to serial devices.



Reset Button

The reset button is used to load factory defaults. Use a pointed object such as a straightened paper clip to hold the reset button down for five seconds. Release the reset button when the Ready LED stops blinking.

4. Hardware Installation Procedure

STEP 1: Use a standard straight-through Ethernet cable to connect the MGate to a network hub or switch.

STEP 2: Connect your device to the MGate serial port.

STEP 3: Mount the MGate on a DIN-rail.

STEP 4: Connect the power source to power input.

5. Software Installation Information

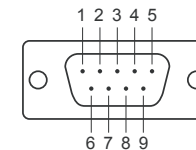
To install MGate Manager, insert the MGate Document & Software CD into your PC's CD-ROM drive. Once the installation window opens, click the Installation button and follow the onscreen instructions. For more detailed information about MGate Manager, click the Documents button and select the MGate MB3000 User's Manual.

6. Pin Assignments

Ethernet Port (RJ45)

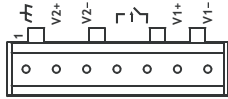
Pin	Signals
1	Tx+
2	Tx-
3	Rx+
6	Rx-

Serial Port (Male DB9)



Pin	RS-232	RS-422/485 (4W)	RS-485 (2W)
1	DCD	TxD-(A)	---
2	RxD	TxD+(B)	---
3	TxD	RxD+(B)	Data+(B)
4	DTR	RxD-(A)	Data-(A)
5	GND	GND	GND
6	DSR	---	---
7	RTS	---	---
8	CTS	---	---
9	---	---	---

Power Input and Relay Output Pinouts



	V2+	V2-			V1+	V1-
Shielded Ground	DC Power Input 1	DC Power Input 1	Relay output	Relay output	DC Power Input 2	DC Power Input 2

7. Specifications

Power Requirements

Power Input	12 to 48 VDC
Power Consumption	MB3270: 410 mA@12 VDC, 145 mA@48 VDC MB3270I: 470 mA@12 VDC, 150 mA@48 VDC
Operating Temperature	Standard: 0 to 55°C (32 to 131°F) Wide Temp. Model: -40 to 75°C (-40 to 167°F)
Operating Humidity	5 to 95% RH
Dimensions	29 × 124.5 × 89.2 mm



Click here for online support:
www.moxa.com/support

The Americas: +1-714-528-6777 (toll-free: 1-888-669-2872)
Europe: +49-89-3 70 03 99-0
Asia-Pacific: +886-2-8919-1230
China: +86-21-5258-9955 (toll-free: 800-820-5036)

© 2008 Moxa Inc., all rights reserved.
Reproduction without permission is prohibited.